



ViewKraft

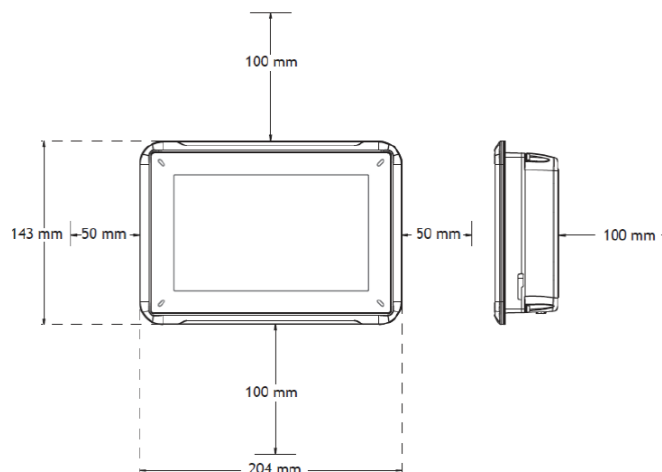
human machine interface

KraftPowercon is a global supplier of High Voltage Power Supply for Electrostatic Precipitator Applications (ESP).

ViewKraft is a human machine interface (HMI). With ViewKraft the complex processes in the ESP's Power supply can be monitored from remote in real time. Viewkraft works as master unit which can manage communication with several slaves in a same time via Modbus RTU protocol and RS485 serial communication.

Main Features

- Monitoring power supply from control room e.g. Output voltage, current, Spark rate, primary current and etc.
- Compact design for installation
- One panel as master for several Power supply slaves
- Alarms control e.g. Open interlock
- Secure setting functionality
- Trend view of power supply output parameter
- Power supply parameters monitoring
- Easy upgrading
- Remote trouble shooting possibility
- Customized feature
 - Language
 - Adding setting parameters e.g. Rapper control
 - Run on the PC instead of ViewKraft hardware



TECHNICAL DATA

Panel items	Technical Data
Front Panel, WxHxD	187 x 126 mm
Cut out dimensions WxH	43 mm (143 mm including clearance)
Mounting depth	43 mm (143 mm including clearance)
Standalone mounting	VESA 75 x75 (Max. screw length is 4mm)
Front / Rear panel seal	IP 65 / IP 20
Operating / Storage Temp.	-10...+60 °C / -20...+70 °C
Touch screen material Display	Polyester on glass, resistive TFT-LCD with LED back light. 800x480 pixels, 64k colours
Touch screen operation	1 million finger touch operations.
Reverse side , frame material	Powder-coated aluminium
Weight	0.8 kg
ViewKraft used serial port	COM2-RS485
USB	1 x USB Host 2.0 for upgrading control software
Processor	400 MHz ARM9
LED	1 x Blue/Red software programmable
Power supply	+24 V DC (18-32 V DC)
Power consumption at rated voltage / Fuse	6.0 W / Internal DC fuse, 2.0A, 5x20mm
ViewKraft communication Protocol/serial port	Modbus RTU / Com2-RS485, Baud: 38400, Parity: Even

